

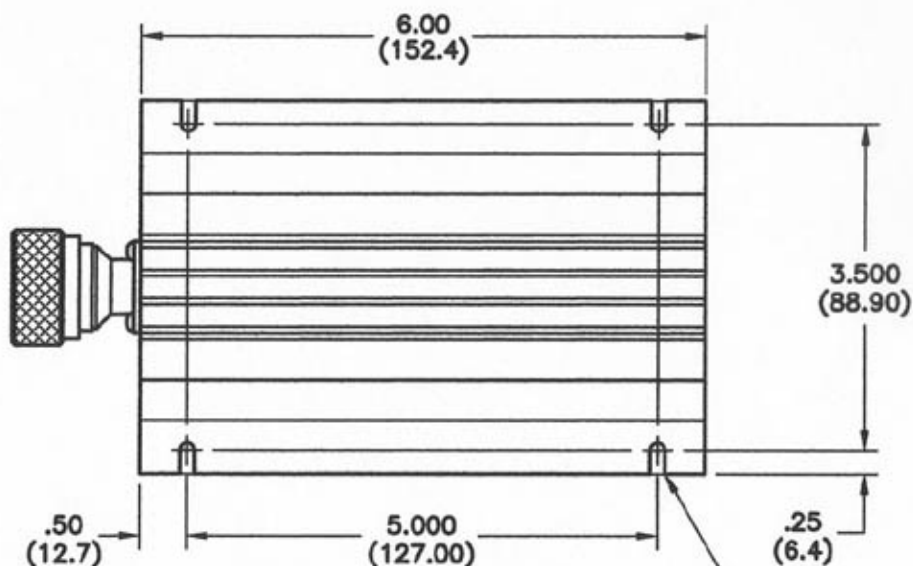
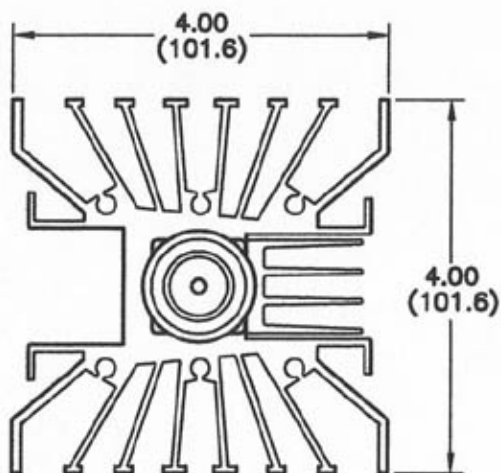
4

3

2

1

REVISIONS					
REV	ZONE	DESCRIPTION	DATE	BY	ECO



.156(3.96) WIDE SLOT, 4 PLACES
TOP AND BOTTOM OF UNIT

SPECIFICATIONS

FREQUENCY RANGE - DC TO 6.0 GHz

IMPEDANCE - 50 OHMS

VSWR (DC - 2.0 GHz) - 1.20:1

(2.0 - 4.0 GHz) - 1.35:1

(4.0 - 6.0 GHz) - 1.40:1

INPUT POWER (AVG.) - 100 WATTS

(PEAK) - 2000 WATTS

CONNECTOR TYPES - BNC, TNC, N, SMA, 7/16 DIN

PLUG OR JACK

(7/16 DIN PLUG SHOWN)

DIMENSIONS: INCHES
(MILLIMETERS)

TOLERANCES DECIMAL ± .05 FRACTION ± HOLE ± .010 ANG ±		THE INFORMATION CONTAINED IN THIS DOCUMENT IS THE PROPERTY OF MICROWAVE DEVICES, INC. AND IS PROPRIETARY. IT IS NOT TO BE COPIED OR USED FOR ANY PURPOSE OTHER THAN AS INSTRUCTED, IN WRITING, BY MICROWAVE DEVICES, INC.	MICROWAVE DEVICES <small>(RF and Microwave Components)</small>	
MATERIAL			OUTLINE, MODEL 6100-7-6 COAXIAL TERMINATION	
FINISH		SIGNATURES DR G.V.Cothren	DATE 12-1-68	CAGE 60674
APPD		SIZE B		
APPO		DRAWING NO. 900778-1		
DRAWING SCALE 1:1		SHEET 1 OF 1		

CONTACT: MICROWAVE DEVICES - 1180 N. GRAHAM RD. FRANKLIN, IN 46131
(317) 736-8833

DIMENSIONS ARE IN INCHES UNLESS OTHERWISE SPECIFIED.

4

3

2

1